



INNOVATIVE INSTALLATION ACCESSORIES

4.2x13 mm self-drilling screw for 1 mm sheet metal

Shape your space



Description

The self-drilling 4.2x13 mm FLAT HEAD® screw is the first fastener of this kind for thin-walled elements of steel frames in drywall systems. It lets you simply create unlimited spatial forms based on plasterboard systems. Thanks to the unique shape of the head, it is now easy to install frames and sheathing, which cuts the time of the works and lowers construction costs. The head is flattened to the technological limit (around 1 mm), which prevents deformation of plasterboard sheathing when it is installed on the frame.

Application range

FLAT HEAD® screws permanently connect metal studs and channels for drywall systems to fulfil unlimited design ideas, like multi-level suspended ceilings, fireplace mantels, bathroom panels, etc. The maximum thickness of sheet metal in structural elements is between 0.50 - 1.00 mm (maximum joint thickness 2 mm). Wide head flange of Ø 8 mm ensures high durability fastening, and prevents the screw from rotating when installed. The screw is admitted to interior use. Corrosion protected in line with class 48 in accordance with EN 14566:2008+A1.

Installation tools

To install FLAT HEAD® screws, use standard drill drivers equipped with Phillips No. 2 heads (so-called PH2). Adjust the torque of the clutch depending on the thickness of the elements fastened together.
 ⚠ Do not use damaged PH2 drill driver cross heads – possible negative impact on the quality of installation works.

Packaging

The product is packed in shock-resistant cardboard boxes. The innovative construction of the packaging (hinged drawer + transparent hole) allows for repeated safe and easy use. Quantity in a single package: - 500 pcs., bulk packaging - 12 pcs. Approximate weight of a single package - 0.5 kg.

Transport and storage

Sinat installation accessories should be transported on flat and dry surfaces, like wooden pallets, protected from the influence of external atmospheric conditions.

Use pallets or warehouse shelves for storage and shelf display. Store indoors to prevent product damage and packaging deformation.

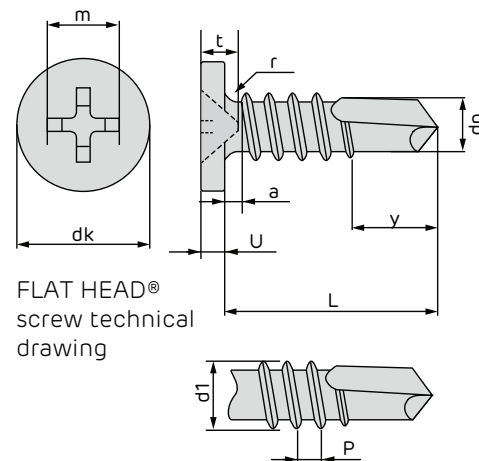


Advantages

The main advantages of the innovative Siniat FLAT HEAD® mechanical sheet metal fasteners include:

- Easy installation works of complex drywall designs
- Lack of plasterboard sheathing deformation in spatial drywall designs

- Faster installation works (no need to repeat skimming due to deformed plasterboard to obtain a perfectly smooth surface)
- Decrease in manual labour costs when installing decorative designs (false ceilings, shelves, etc.)
- Strong and safe connections between structural elements - thanks to the unique construction of the screw



Dimensional data [mm]

4.2-1.4xL	Dimension	dk	U	m	t	r	a	P	d1	y	dp	L	
	Max	8,25	1,50	#2	2,26	0,50	1,50	1,40	4,22	5,60	3,60	13,00	13,90
	Min	7,75	1,20		1,60	REF	REF	REF	4,03	4,20	3,35		12,10

Pull-out strength [kN]

Base thickness [mm]	Installed sheet metal thickness				
	0,50	0,63	0,75	0,88	1,00
0,50	0,43/0,92	0,48/0,92	0,48/0,92	0,48/0,92	0,48/0,92
0,63	0,43/0,92	0,57/1,11	0,57/1,11	0,57/1,11	0,57/1,11
0,75	0,43/0,92	0,60/1,11	0,69/1,66	0,73/1,66	0,75/1,66
0,88	0,43/0,92	1,60/1,11	1,69/1,66	1,73/1,84	1,78/1,84
1,00	0,43/0,92	1,60/1,11	1,69/1,66	1,73/1,84	1,78/1,88

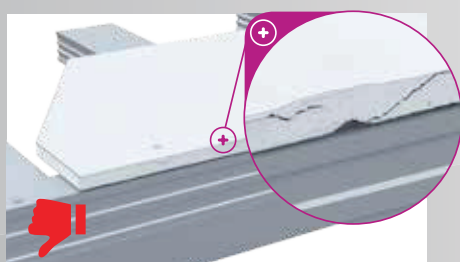
It is recommended to use a partial safety coefficient of 1.33.

Technical parameters

Electrolytic zinc coating	above 4 µm	wg PN-EN ISO 3497:2004
Heat treated carbon steel		C-1022
Socket / cross head	Philips Nr 2	DIN 7982
Hardness in line with Vickers hardness scale, HV measure often provided for special purpose products		
Core hardness above	400 HV	as per Vickers scale
External surface hardness above	600 HV	as per Vickers scale
Hardness acc. to Rockwell (HRC)	≥ 55	as per EN 14566:2008+A1:2009
Maximum number of joined elements	2x1,00 mm	zinc-coated sheet metal
Destruction torque	6 Nm	as per PN-EN ISO 10666:2002
Reaction to fire	A1	as per EN 14566:2008+A1:2009
Flexural strength	meets	as per EN 14566:2008+A1:2009
Corrosion protection	clasa 48	as per EN 14566:2008+A1:2009
Pull-out strength	≥ 450 N	as per EN 14566:2008+A1:2009

To obtain exhaustive technical guidelines, contact our Technical Advisor - Find a map of our advisors at www.siniat.pl/kontakt

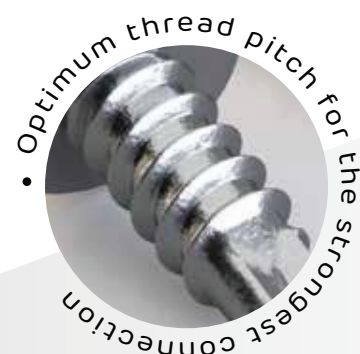
The manufacturer shall not be liable for consequences of using the product in a manner inconsistent with the above recommendations or good construction practice.



Solution based on pan head screws



Solution based on FLAT HEAD® screws



SINIAT Sp. z o.o.
ul. Przecławaska 8
03-879 Warszawa
www.siniat.pl

Date of issue:
October 2016